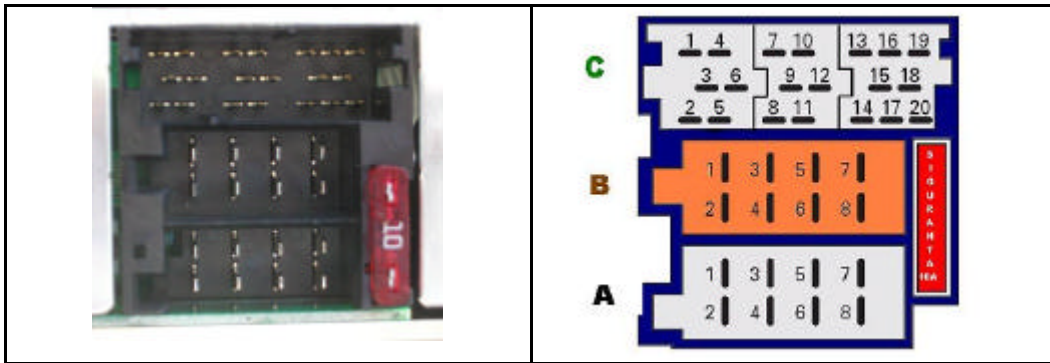


Rear Connector Pin Out of RD3-1 PU-2471A CD/Radio

The following pin outs are specific to the Peugeot Siemens Clarion Blaupunkt VDO RD3-1 (PU-2471A) CD/Radio



NOTE: Dependent on model the 10A blade fuse may not be present.

ISO Connectors			
<p>View of the connectors that plug into the car stereo equipment - note the position of the locating lugs</p>	<p>ISO 10487 Connector B</p> <p>Often White</p> <p>Used only for SPEAKERS</p>	<p>B 1 + Rear Right Speaker</p> <p>B 2 - Rear Right Speaker</p> <p>B 3 + Front Right Speaker</p> <p>B 4 - Front Right Speaker</p> <p>B 5 + Front Left Speaker</p> <p>B 6 - Front Left Speaker</p> <p>B 7 + Rear Left Speaker</p> <p>B 8 - Rear Left Speaker</p>	
	<p>ISO 10487 Connector A</p> <p>Often Black</p> <p>Used only for POWER/CONTROL</p>	<p>A 1 Remote Mute from Mobile Phone</p> <p>A 2 Comfort VAN Data Bus</p> <p>A 3 Comfort VAN Data Bus B</p> <p>A 4 + VAN Comfort</p> <p>A 5 Power to Electric Aerial</p> <p>A 6 +12V IGN Power (Switched via Ignition key)</p> <p>A 7 +12V Main Power (Permanent)</p> <p>A 8 Ground (Chassis)</p>	

Mini ISO Connectors			
<p>View of the connectors that plug into the car stereo equipment - note the position of the locating lugs</p>	<p>Mini ISO Connector (YELLOW)</p> <p>No Connection</p>	<p>C 1 No Connection</p> <p>C 2 No Connection</p> <p>C 3 No Connection</p> <p>C 4 No Connection</p> <p>C 5 No Connection</p> <p>C 6 No Connection</p>	
	<p>Mini ISO Connector (GREEN)</p> <p>Used only for ACCESSORIES</p>	<p>C 7 + Left Audio Line In from NAV</p> <p>C 8 - Left Audio Line In from NAV</p> <p>C 9 + Right Audio Line In from NAV</p> <p>C 10 - Right Audio Line In from NAV</p> <p>C 11 + Audio Line In from Mobile Phone</p> <p>C 12 - Audio Line In from Mobile Phone</p>	
	<p>Mini ISO Connector (BLUE)</p> <p>Used only for EXTERNAL MULTI DISC CD CHANGER</p>	<p>C 13 Comfort VAN Data Bus</p> <p>C 14 Comfort VAN Data Bus B</p> <p>C 15 Ground (Chassis)</p> <p>C 16 +12V CD Changer Power</p> <p>C 17 + VAN Comfort</p> <p>C 18 Audio Line Ground from CD Changer</p> <p>C 19 Left Audio Line Input from CD Changer</p> <p>C 20 Right Audio Line Input from CD Changer</p>	